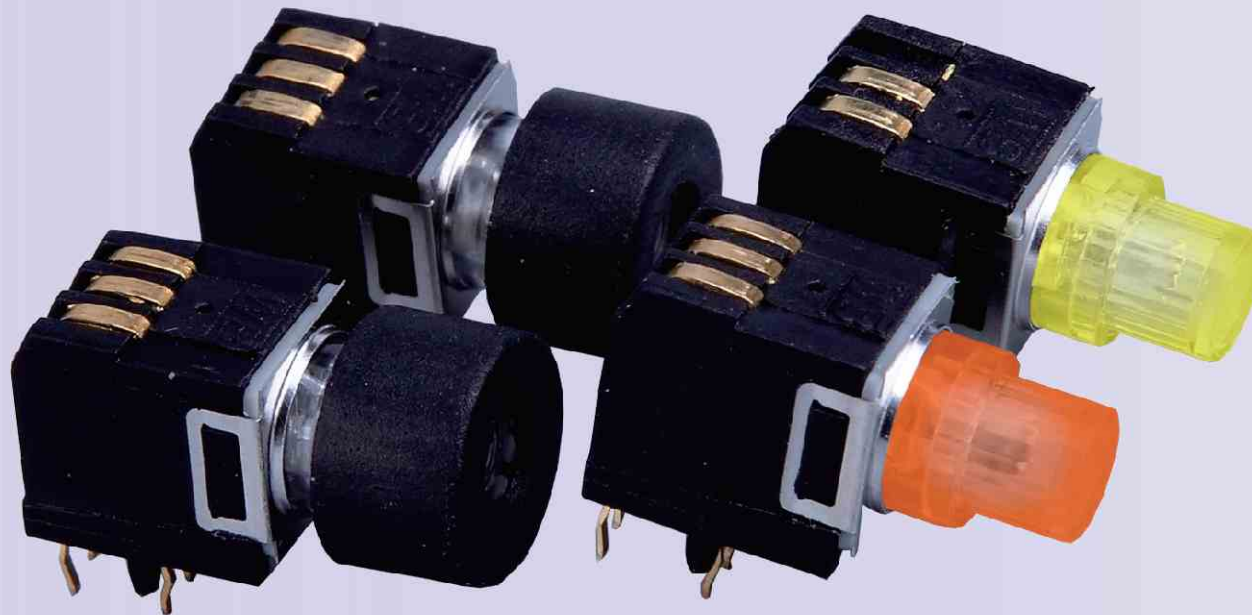




TL6



产品特点：

小尺寸
接触感觉良好
双色LED照明可用
直角通孔安装设计

使用范围：

时尚消费产品
网络产品
仪器通讯...

Features:

Small size
Excellent contact feeling
Bi-color LED illuminated available
Right angle through hole mount design

Applications:

Consumer products
Network products
Instrumentation
Communication equipments...etc.

Features:

- Small size
- Excellent contact feeling
- Bi-color LED illuminated available
- Right angle through hole mount design

Applications (使用范围) :

- Consumer products 时尚消费产品
- Network products 网络产品
- Instrumentation 仪器通讯...
- Communication equipments ... etc.

General Specifications: (产品规格)

- Circuit: 1P2T
- Contact Rating: Power Min./Max.:0.02VA/1.0VA
Current Min./Max.:0.1mA~100mA
Voltage Min./Max.: DC 20mV~DC 32V
- Contact Resistance: 250mΩ Max. 1.5V DC;100 mA,
by method of Voltage drop
- Insulation Resistance: 100MΩ Min.500V DC
- Dielectric Strength:Breakdown is not allowable;
250V AC for 1 minute
- Actuation Force: 400 ±125gf
- Total Travel:2.0mm Max.
- Operating Life: 50,000 cycles
- Operating Temperature: -40°C to 85°C

Material: (产品材质)

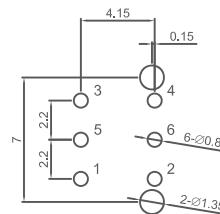
- Actuator: Polyamide(PA)+GF
- Frame:Polycarbonate(PC)
- Terminal:Brass;Gold plating

SERIES	OPERATION	POLE	FRAME TYPE	LED COLOR	LED COLOR	CAP TYPE	CAP COLOR	CAP SYMBOL
TL6	N	1	A	R	G	A	T	P5
	N=NON-LOCK	1=1 POLE	A=A TYPE B=B TYPE C=C TYPE	B=BLUE G=GREEN R=RED Y=YELLOW F=FULL COLOR N=NONE	B=BLUE G=GREEN R=RED Y=YELLOW F=FULL COLOR N=NONE	A=A TYPE B=B TYPE C=C TYPE	T=TRANSPARENT K=BLACK G=GREEN B=BLUE Y=YELLOW S=SILVER	

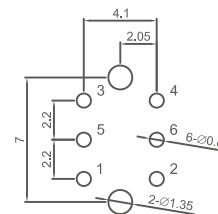
CAP Symbol:Please refer to cap selection for all available symbols on cap surface,and any customization is welcomed

CIRCUIT

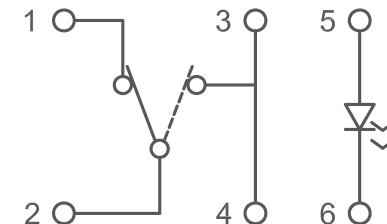
FRAME A



FRAME B



P. C. B LAYOUT



LED Specifications:

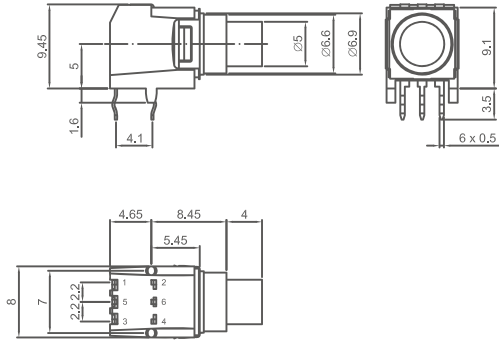
Color	V		Recommended Operating Current	VF	
				Nom	Max
Red	DC 5V	20mA	20mA	1.7V	2.4V
Green	DC 5V	20mA	20mA	1.9V	2.4V
Yellow	DC 5V	20mA	20mA	1.9V	2.4V
Blue	DC 5V	20mA	20mA	3.0V	3.6V
White	DC 5V	20mA	20mA	3.0V	3.6V

For the specification about the other LEDs, please contact with sales department

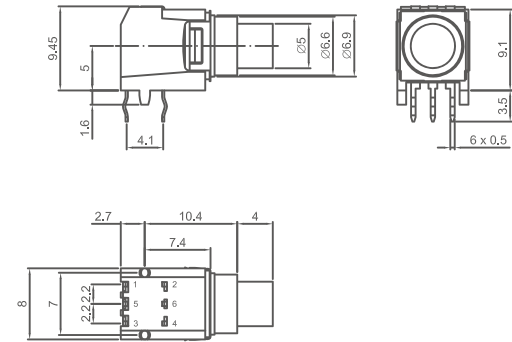


TL6

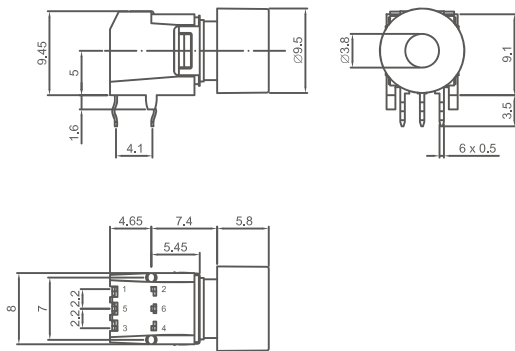
TL6-N1AYN-AT::



TL6-N1BRN-AT::



TL6-N1AYN-AT::



Laser Service

先进镭射雕刻服务，精密不失真。

Feature:

Lak-View's products are always the best choice and provide additional product value.

We focus interest, make the product recognizable and improve product image.

Customers can make pattern, logo, characters and even the design on their own.

Convenience, Short time to market, Quality, Beauty and more than one hundred kinds of designs are available to satisfy our customers.

No expenses for ink or additional materials due to laser printing. Does not fade or change color.

Application:

Public building, Security system, Business building, Industrial equipment, Communication equipments, Audio/Video products...etc.

CAP Symbol



	0	1	2	3	4	5	6	7	8	9	10	11	12	13	14	15	16	17	18	19	
A	0	1	2	3	4	5	6	7	8	9	10	11	12	13	14	15	16	17	18	19	
B	A	B	C	D	E	F	G	H	I	J	K	L	M	N	O	P	Q	R	S	T	
C	U	V	W	X	Y	Z	V1	V2	V3	V4	V5	V6	V7	V8	V9	F1	F2	F3	F4	F5	
D	F6	F7	GO	OK	WIN	ESC	MENU	BRIGHT	LAYOUT	TAKE	INVERT	LIGHT	SDI	VGA	DVI	PIP	P/F	Out-K	In-A	In-B	
E	M1	SAVE	SPLIT	HDMI	LOAD	Set	Menu	Win	In	Out	Load	Save	RTMP	PGM1	PGM2	PVW	MIX	PUSH	COVER	WIPE	
F	V1 ▲	VGA ◀	H1 ▼	H2 ▶	DVI ①	HDMI ②	EXT1 ③	EXT2 ④	VGA ⑤	CVBS ⊖	M6 Ⓢ	DDR1 PLAY	PPT On\Off	REC PGM	DDR2 PLAY	PAGE UP	PAGE DOWN	M Prew Switch	In-A K-Out1	Overlay Fade	
G	TAKE 0	VID1 1	VID2 2	VGA1 3	VGA2 4	HDMI 5	FREEZE SAVE	RETURN SHIFT	BLACK ERASE	Auto Take	Bypass	Freeze	Mosaic	VOLUME UP ▲	VOLUME DOWN ▼	SELECT TRANS	INPUT SETUP	PTZ PRESET	PLAY BACK	REAL TIME	
H	In1	In2	In3	In4	M+	M1	M2	M3	CH1	CH2											ROHS compliant
I																					
J																					
K																					
L																					
M																					
N																					