

**Features:**

Water proof IP67 sealed

Medium size

Bi-color LED illuminated available

SMT and vertical PCB terminal

**Applications:**

Consumer products.

Computer products.

Instrumentation

Communication equipments.

Automotive industry...etc.

**产品特点：**

防水等级IP67密封

中等大小的

双色LED照明可用

SMT和垂直PCB端子

**使用范围：**

时尚消费产品、电脑周边、

仪器通讯、汽车...

**Features**

Water proof IP67 sealed	Consumer products
Medium size	Computer products
Bi-color LED illuminated available	Instrumentation
SMT and vertical PCB terminal	Communication equipments
	Automotive industry... etc.

**Applications**

**使用范围**

时尚消费产品、电脑周边、仪器通讯、汽车...

**General Specifications: (产品规格)**

Circuit: SPST,With led
Contact Rating: 50mA 24V DC
Contact Resistance: 200mΩ Max.
Insulation Resistance: 100MΩ Min.500V DC
Dielectric Strength:Breakdown is not allowable; 500V AC for 1 minute
Actuation Force: 300 ± 100gf
Total Travel:1.0mm ± 0.3mm
Operating Life: 1,500,000 cycles
Operating Temperature: -20° C to 70° C

**Material: (产品材质)**

Cover: Polycarbonate(PC)
Actuator:Polyoxymethylen(POM)
Base:Polyamide(PA)+GF
Terminal:Brass with nickel plating&gold flash
Moving Contact: Brass with nickel plating&gold flash

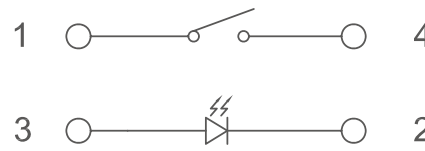
**HOW TO ORDER**

SERIES	OPERATION	POLE	LED COLOR	LED BRIGHTNESS	LED COLOR	LED BRIGHTNESS	CAP TYPE	CAP COLOR	TERMINAL	CAP SYMBOL
TL13	N	1	R	1	G	2	S	T		P5
	N=NON-LOCK	1=1 POLE	B=BLUE G=GREEN R=RED Y=YELLOW W=WHITE N=NONE	1=STANDARD 2=HIGH N=NONE	B=BLUE G=GREEN R=RED Y=YELLOW W=WHITE N=NONE	1=STANDARD 2=HIGH N=NONE	S=SQUARE S1=S1 sq R=ROUND R1=R1 ro R2=R2 ro R3=R3 ro N=NONE	T=TRANSPARENT R=RED W=WHITE K=BLACK A=GRAY S=SILVER N=NONE	=P.C.B TYPE S=SMT TYPE	

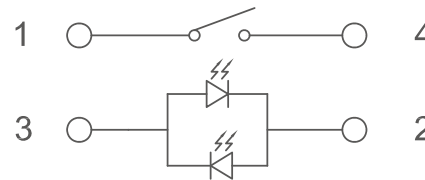
CAP Symbol:Please refer to cap selection for all available symbols on cap surface,and any customization is welcomed

**CIRCUIT**

**SINGLE LED COLOR**

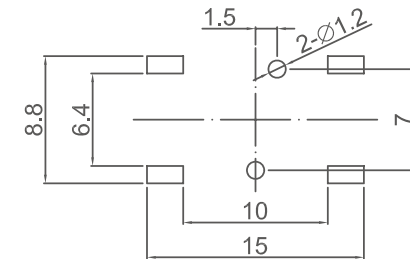


**DUAL LED COLOR**

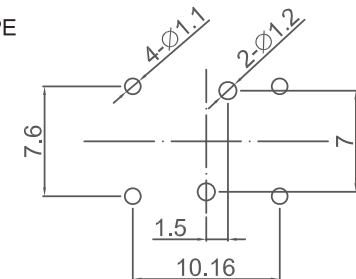


**P.C.B LAYOUT**

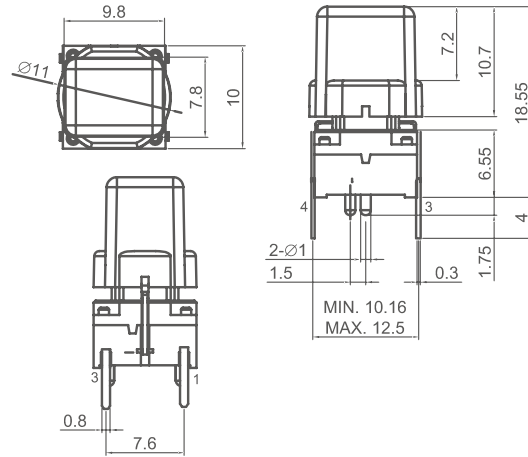
**SMT TYPE**



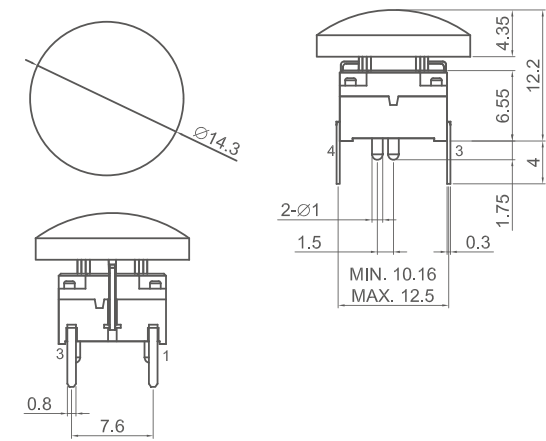
**P.C.B. TYPE**



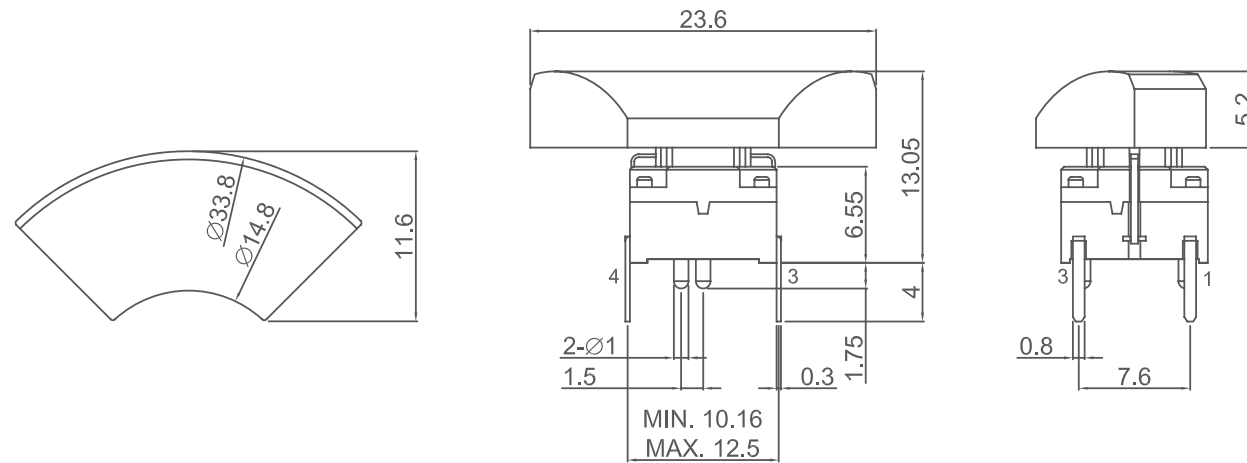
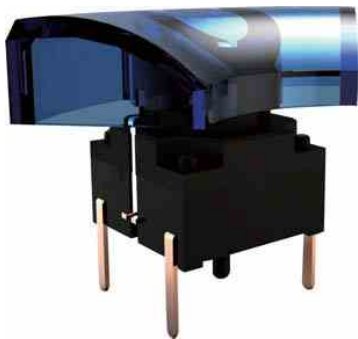
**TL13-N1Y1NN-ST**



**TL13-N1Y1NN-S1T**

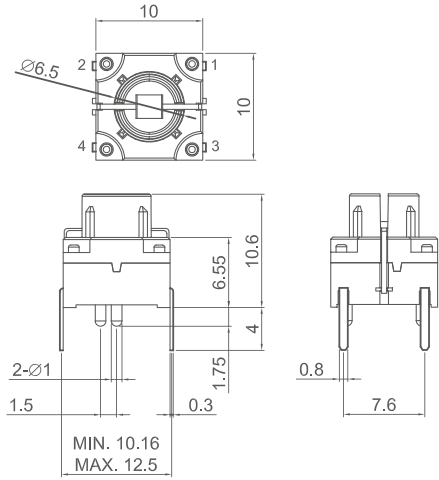


**TL13-N1B1NN-R2T**

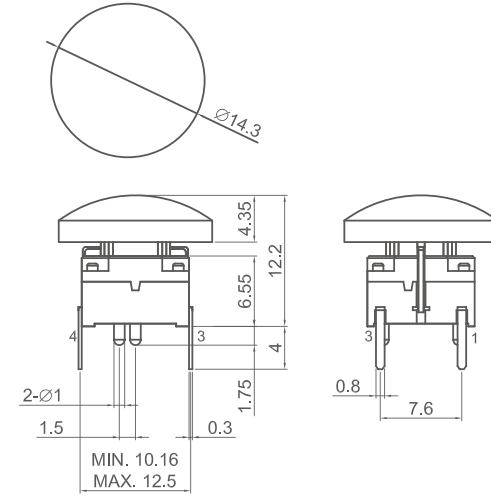


**i TL13**

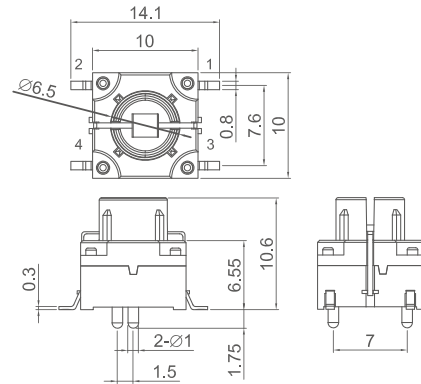
**TL13-N1R1NN-NN**



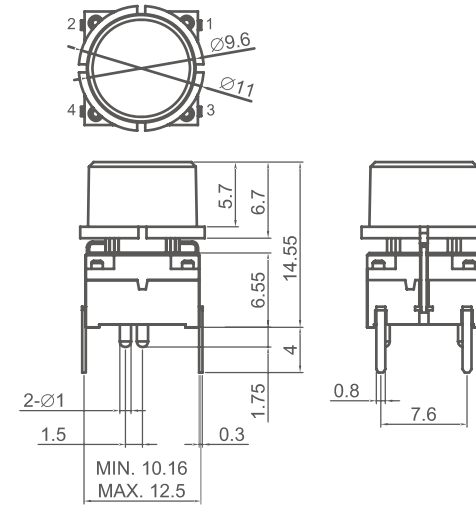
**TL13-N1Y1NN-RT**



**TL13-N1W1NN-NNS**



**TL13-N1R1NN-R1T**



# *Laser Service*

先进镭射雕刻服务，精密不失真。

## **Feature:**

Lak-View's products are always the best choice and provide additional product value.

We focus interest, make the product recognizable and improve product image.

Customers can make pattern, logo, characters and even the design on their own.

Convenience, Short time to market, Quality, Beauty and more than one hundred kinds of designs are available to satisfy our customers.

No expenses for ink or additional materials due to laser printing. Does not fade or change color.

## **Application:**

Public building, Security system, Business building, Industrial equipment, Communication equipments, Audio/Video products...etc.

# CAP Symbol



	0	1	2	3	4	5	6	7	8	9	10	11	12	13	14	15	16	17	18	19	
A	0	1	2	3	4	5	6	7	8	9	10	11	12	13	14	15	16	17	18	19	
B	A	B	C	D	E	F	G	H	I	J	K	L	M	N	O	P	Q	R	S	T	
C	U	V	W	X	Y	Z	V1	V2	V3	V4	V5	V6	V7	V8	V9	F1	F2	F3	F4	F5	
D	F6	F7	GO	OK	WIN	ESC	MENU	BRIGHT	LAYOUT	TAKE	INVERT	LIGHT	SDI	VGA	DVI	PIP	P/F	Out-K	In-A	In-B	
E	M1	SAVE	SPLIT	HDMI	LOAD	Set	Menu	Win	In	Out	Load	Save	RTMP	PGM1	PGM2	PVW	MIX	PUSH	COVER	WIPE	
F	V1 ▲	VGA ◀	H1 ▼	H2 ▶	DVI ①	HDMI ②	EXT1 ③	EXT2 ④	VGA ⑤	CVBS ⊖	M6 Ⓢ	DDR1 PLAY	PPT On\Off	REC PGM	DDR2 PLAY	PAGE UP	PAGE DOWN	M Prew Switch	In-A K-Out1	Overlay Fade	
G	TAKE 0	VID1 1	VID2 2	VGA1 3	VGA2 4	HDMI 5	FREEZE SAVE	RETURN SHIFT	BLACK ERASE	Auto Take	Bypass	Freeze	Mosaic	VOLUME UP ▲	VOLUME DOWN ▼	SELECT TRANS	INPUT SETUP	PTZ PRESET	PLAY BACK	REAL TIME	
H	In1	In2	In3	In4	M+	M1	M2	M3	CH1	CH2										ROHS compliant	
I																					
J																					
K																					
L																					
M																					
N																					