



TLB Series illuminated tactile switch

Features:

- Sound clearly&Excellent contact feeling
- Super bright LED,Smooth illuminated
- Snap-action contact mechanism
- Small and short body for mounting in tight spaces
- Bright LEDs of single,Dual colors available

Applications

- Studio equipment.
- Audio/Video products,
- Broadcast system,
- Instrumentation,.
- Telecommunications ...etc.

使用范围

- 音响、影像等录音室器材设备
- 广播系统、电信仪器设备等

General Specifications: (产品规格)

Function:SPST
Contact Rating: 50mA 12VDC
Contact Resistance: 100mΩ(initial max.)
Insulation Resistance: 100mΩ Min.
Actuation Force: 220 ± 50 gf
Total Travel:0.3mm ± 0.1mm
Operating Life:1,000,000 cycles Min.
Operating Temperature: -25° C to 60° C

Material: (产品材质)

Cover: Polycarbonate(PC)
Actuator: Polyamide(PA)
Base Frame:LCP
Terminal:Phosphor bronze(PBS) with gold plating

LED Specifications:

Color	V		Recommended Operating Current	VF	
				Nom	Max
Red	DC 5V	20mA	20mA	1.7V	2.4V
Green	DC 5V	20mA	20mA	1.9V	2.4V
Yellow	DC 5V	20mA	20mA	1.9V	2.4V
Blue	DC 5V	20mA	20mA	3.0V	3.6V
White	DC 5V	20mA	20mA	3.0V	3.6V

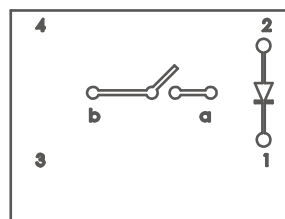
For the specification about the other LEDs, please contact with sales department

HOW TO ORDER

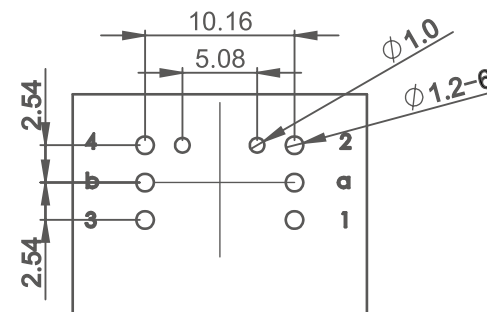
SERIES	OPERATION	POLE	TERMINAL	LED COLOR	LED COLOR	CAP TYPE	CAP COLOR	PLATE COLOR	CAP SYMBOL
TLB	N	1	P	R	G	A	T	W	P5
	N=NON-LOCK	1=1 POLE	P=P.C.B TYPE S=SMITYPE	B=BLUE G=GREEN R=RED Y=YELLOW F=FULLCOLOR N=NONE	B=BLUE G=GREEN R=RED Y=YELLOW F=FULLCOLOR N=NONE	A=15.0mm S1 TYPE B=15.0mm S2 TYPE C=15.0mm S3 TYPE D=17.4mm S1 TYPE E=17.4mm S2 TYPE F=17.4mm S3 TYPE R=22.0mm R1 TYPE	T=TRANSPARENT R=RED G=GREEN B=BLUE Y=YELLOW S=SILVER	W=WHITE R=RED G=GREEN B=BLUE Y=YELLOW	

CAP Symbol:Please refer to cap selection for all available symbols on cap surface,and any customization is welcomed

CIRCUIT



P.C.B LAYOUT



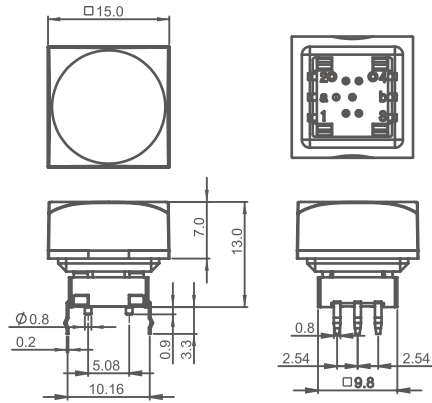
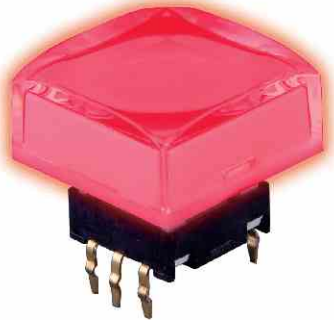
Cap Choice more than ONE

	A Type	B Type	C Type	D Type	E Type	F Type	R Type
Shape							
Dimension							

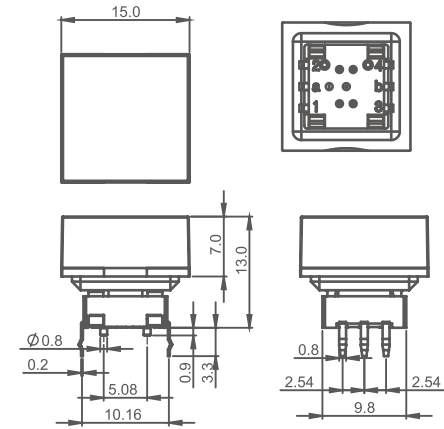


TLB

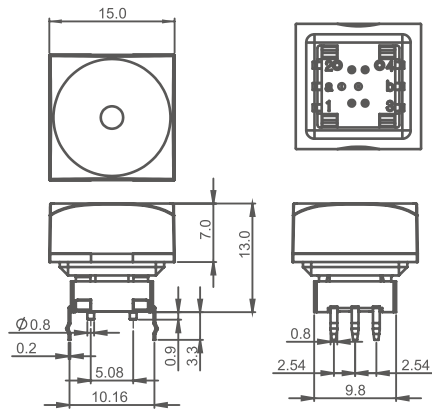
TLB-N1PRN-ATW



TLB-N1PBN-BTB



TLB-N1PGN-CTW



Laser Service

先进镭射雕刻服务，精密不失真。

Feature:

Lak-View's products are always the best choice and provide additional product value.

We focus interest, make the product recognizable and improve product image.

Customers can make pattern, logo, characters and even the design on their own.

Convenience, Short time to market, Quality, Beauty and more than one hundred kinds of designs are available to satisfy our customers.

No expenses for ink or additional materials due to laser printing. Does not fade or change color.

Application:

Public building, Security system, Business building, Industrial equipment, Communication equipments, Audio/Video products...etc.

CAP Symbol



	0	1	2	3	4	5	6	7	8	9	10	11	12	13	14	15	16	17	18	19	
A	0	1	2	3	4	5	6	7	8	9	10	11	12	13	14	15	16	17	18	19	
B	A	B	C	D	E	F	G	H	I	J	K	L	M	N	O	P	Q	R	S	T	
C	U	V	W	X	Y	Z	V1	V2	V3	V4	V5	V6	V7	V8	V9	F1	F2	F3	F4	F5	
D	F6	F7	GO	OK	WIN	ESC	MENU	BRIGHT	LAYOUT	TAKE	INVERT	LIGHT	SDI	VGA	DVI	PIP	P/F	Out-K	In-A	In-B	
E	M1	SAVE	SPLIT	HDMI	LOAD	Set	Menu	Win	In	Out	Load	Save	RTMP	PGM1	PGM2	PVW	MIX	PUSH	COVER	WIPE	
F	V1 ▲	VGA ◀	H1 ▼	H2 ▶	DVI ①	HDMI ②	EXT1 ③	EXT2 ④	VGA ⑤	CVBS ⊖	M6 Ⓢ	DDR1 PLAY	PPT On\Off	REC PGM	DDR2 PLAY	PAGE UP	PAGE DOWN	M Prew Switch	In-A K-Out1	Overlay Fade	
G	TAKE 0	VID1 1	VID2 2	VGA1 3	VGA2 4	HDMI 5	FREEZE SAVE	RETURN SHIFT	BLACK ERASE	Auto Take	Bypass	Freeze	Mosaic	VOLUME UP ▲	VOLUME DOWN ▼	SELECT TRANS	INPUT SETUP	PTZ PRESET	PLAY BACK	REAL TIME	
H	In1	In2	In3	In4	M+	M1	M2	M3	CH1	CH2											ROHS compliant
I																					
J																					
K																					
L																					
M																					
N																					