

时尚精品，聪明变身

Exquisite Fine Quality, Multiple LED color options are available



Features:

Super bright LED of single, Dual or RGB colors available.
Choice of colored caps.
Choice of painted colored caps.
Laser marking service.
Available with Tactile or Silent feeling
With silicon dust cover to keep contact point clean

产品特点

超高亮LED照光，耐久鲜明
客制化帽盖选择，喷漆色盖&镭射雕刻服务
提供轻触型及无声型两种选择
具防尘结构保护触点清洁

Applications

Consumer products
Computer products
Instrumentation
Communication equipments
Home Security...etc.

使用范围

时尚消费产品、电脑周边、仪器通讯、居家



TL1

General Specifications: (产品规格)

Contact Rating: 50mA 12V DC

Contact Resistance: 100mΩ Max. (initial)

Insulation Resistance: 100MΩ Min.500V DC

Dielectric Strength:Breakdown is not allowable;
500V AC for 1 minute

Actuation Force: 180 ±50gf

Total Travel:0.2mm±0.1mm

Operating Life: 500,000 cycles Min.

Operating Temperature: -20°C to 70°C

HOW TO ORDER

SERIES	FRAME TYPE	FRAME COLOR	CAP TYPE	CAP COLOR	LED COLOR	LED BRIGHTNESS	LED COLOR	LED BRIGHTNESS	TERMINAL	CAP SYMBOL
TL1	S	A	S	A	R	1	N	2		
	S=SQUARE R=ROUND N=NONE	K=BLACK W=WHITE A=GRAY N=NONE	S=SQUARE S1=S1 sq S2=S2 sq R=ROUND R1=R1 ro R2=R2 ro N=NONE	T=TRANSPARENT R=RED G=GREEN K=BLACK A=GRAY S=SILVER N=NONE	B=BLUE G=GREEN R=RED Y=YELLOW W=WHITE N=NONE	1=STANDARD 2=HIGH N=NONE	B=BLUE G=GREEN R=RED Y=YELLOW W=WHITE N=NONE	1=STANDARD 2=HIGH N=NONE	—=P.C.B TYPE S=SMT TYPE	

CAP Symbol:Please refer to cap selection for all available symbols on cap surface,and any customization is welcomed

Material: (产品材质)

Cover: Polyamide(PA)

Actuator: Polyamide(PA)

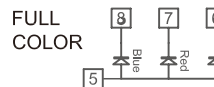
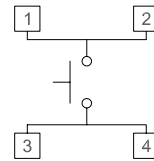
Base Frame:Polyamide(PA)

Terminal:Brass with silver plating

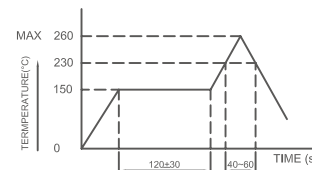
LED Specifications:

Color	V		Recommended Operating Current	VF	
				Nom	Max
Red	DC 5V	20mA	20mA	1.7V	2.4V
Green	DC 5V	20mA	20mA	1.9V	2.4V
Yellow	DC 5V	20mA	20mA	1.9V	2.4V
Blue	DC 5V	20mA	20mA	3.0V	3.6V
White	DC 5V	20mA	20mA	3.0V	3.6V

CIRCUIT

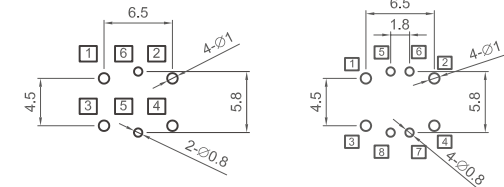


REFLOW SOLDERING

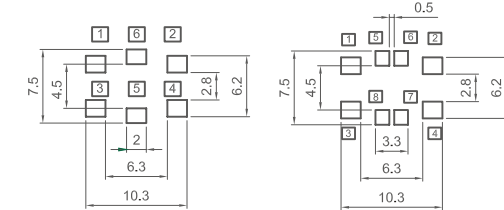


P. C. B LAYOUT

P.C.B TYPE

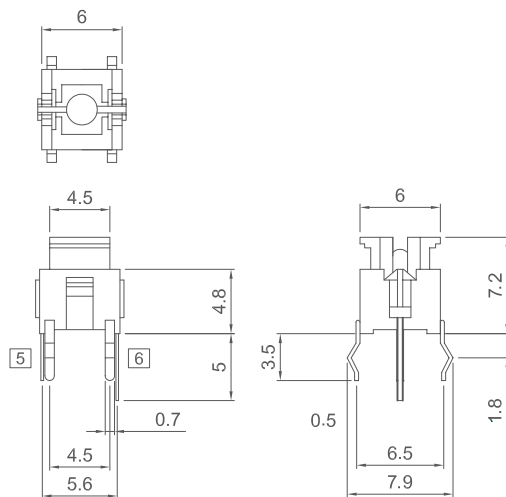


SMT TYPE

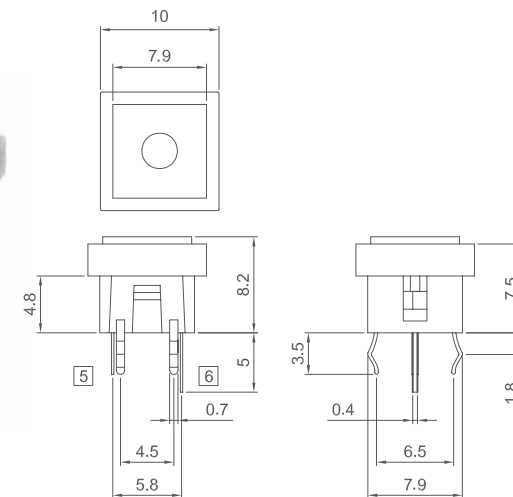


For the specification about the other LEDs, please contact with sales department

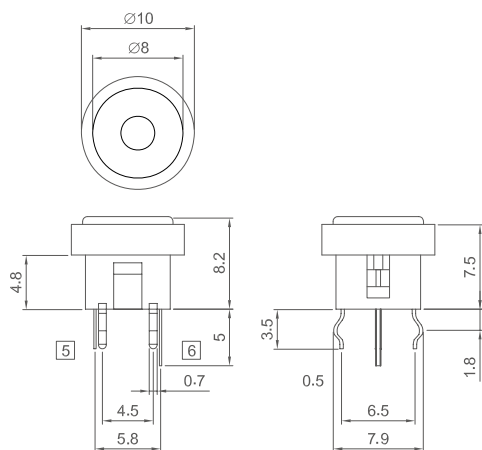
TL1-NNNN-R1NN



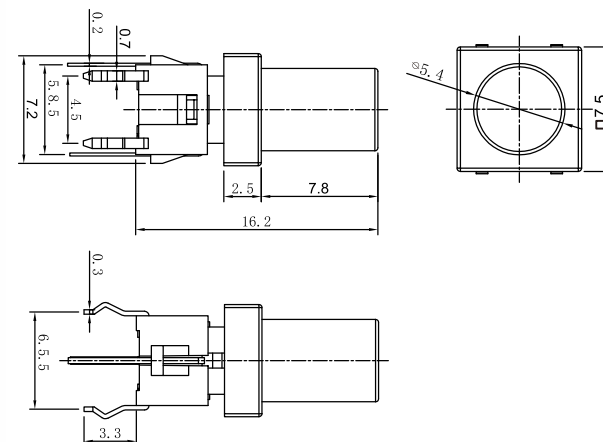
TL1-SASA-B1NN



TL1-RKRK-B1NN



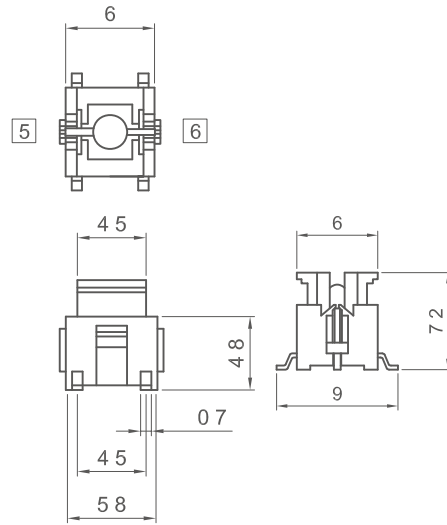
TL1-NNS1T-G1NN



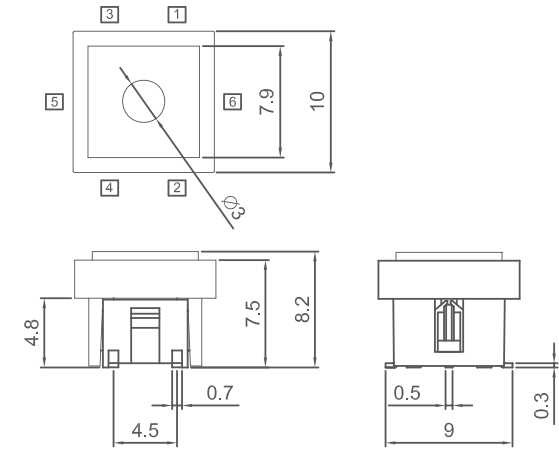


TL1

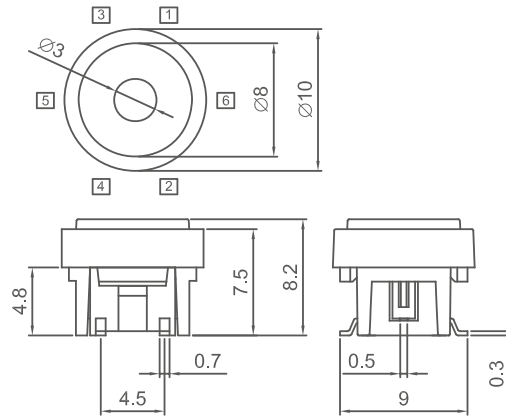
TL1-NNNN-Y1NNS



TL1-SASA-R1NNS



TL1-RKRK-R1NNS



Laser Service

先进镭射雕刻服务，精密不失真。

Feature:

Lak-View's products are always the best choice and provide additional product value.

We focus interest, make the product recognizable and improve product image.

Customers can make pattern, logo, characters and even the design on their own.

Convenience, Short time to market, Quality, Beauty and more than one hundred kinds of designs are available to satisfy our customers.

No expenses for ink or additional materials due to laser printing. Does not fade or change color.

Application:

Public building, Security system, Business building, Industrial equipment, Communication equipments, Audio/Video products...etc.

CAP Symbol



	0	1	2	3	4	5	6	7	8	9	10	11	12	13	14	15	16	17	18	19	
A	0	1	2	3	4	5	6	7	8	9	10	11	12	13	14	15	16	17	18	19	
B	A	B	C	D	E	F	G	H	I	J	K	L	M	N	O	P	Q	R	S	T	
C	U	V	W	X	Y	Z	V1	V2	V3	V4	V5	V6	V7	V8	V9	F1	F2	F3	F4	F5	
D	F6	F7	GO	OK	WIN	ESC	MENU	BRIGHT	LAYOUT	TAKE	INVERT	LIGHT	SDI	VGA	DVI	PIP	P/F	Out-K	In-A	In-B	
E	M1	SAVE	SPLIT	HDMI	LOAD	Set	Menu	Win	In	Out	Load	Save	RTMP	PGM1	PGM2	PVW	MIX	PUSH	COVER	WIPE	
F	V1 ▲	VGA ◀	H1 ▼	H2 ▶	DVI ①	HDMI ②	EXT1 ③	EXT2 ④	VGA ⑤	CVBS ⊖	M6 Ⓢ	DDR1 PLAY	PPT On\Off	REC PGM	DDR2 PLAY	PAGE UP	PAGE DOWN	M Prew Switch	In-A K-Out1	Overlay Fade	
G	TAKE 0	VID1 1	VID2 2	VGA1 3	VGA2 4	HDMI 5	FREEZE SAVE	RETURN SHIFT	BLACK ERASE	Auto Take	Bypass	Freeze	Mosaic	VOLUME UP ▲	VOLUME DOWN ▼	SELECT TRANS	INPUT SETUP	PTZ PRESET	PLAY BACK	REAL TIME	
H	In1	In2	In3	In4	M+	M1	M2	M3	CH1	CH2											ROHS compliant
I																					
J																					
K																					
L																					
M																					
N																					