

## 绝佳顿感，滑顺均匀

Tactile or non-tactile feel, Perfectly Poise



### Features

Long electrical life cycles.  
Choice of multiple colored caps.  
Choice of painted colored caps.  
Laser marking service.  
Available with small quantity order.

### 产品特点

提供带触感型及无触感型两种选择  
超高亮LED照光，耐久鲜明  
超长距离，高信耐接触，无杂讯  
客制化帽盖选择，喷漆色盖&镭射雕刻服务

### Applications

Studio equipment.  
Audio/Video products,  
Broadcast system,  
Instrumentation,.  
Telecommunications ...etc.

### 使用范围

音响、影像等录音室器材设备  
广播系统、电信仪器设备

# PLD

## General Specifications: (产品规格)

Circuit: OFF-ON For Momentary Type, SPST, DPST

Contact Rating: 12mA 12V DC

Contact Resistance: 200mΩ Max.

Insulation Resistance: 100MΩ Min. 500 V DC

Dielectric Strength: Breakdown is not allowable;  
500V AC for 1 minute

Actuation Force: 150 ± 100 gf SPST

200 ± 150 gf DPST

Total Travel: 2.2mm ± 0.2mm

Operating Life: 200,000 cycles

Operating Temperature: -20° C to 70° C

## Material: (产品材质)

Cover: Polycarbonate(PC)

Actuator: Polyoxymethylen(POM)

Base: Polyamide(PA)+GF

Terminal: Brass with nickel plating&gold flash

Moving Contact: Brass with nickel plating&gold flash

## LED Specifications:

Color	V		Recommended Operating Current	VF	
				Nom	Max
Red	DC 5V	20mA	20mA	1.7V	2.4V
Green	DC 5V	20mA	20mA	1.9V	2.4V
Yellow	DC 5V	20mA	20mA	1.9V	2.4V
Blue	DC 5V	20mA	20mA	3.0V	3.6V
White	DC 5V	20mA	20mA	3.0V	3.6V

## HOW TO ORDER

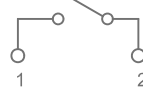
SERIES	OPERATION	POLE	LED COLOR	LED BRIGHTNESS	LED COLOR	LED BRIGHTNESS	CAP TYPE	CAP COLOR	PLATE COLOR	CAP SYMBOL
PLD	N	1	R	1	R	N	A	T	W	P5
	N= MOMENTARY	1=1 POLE 2=2 POLE	B=BLUE G=GREEN R=RED Y=YELLOW F=FULL COLOR N=NONE	1=STANDARD 2=HIGH N=NONE	B=BLUE G=GREEN R=RED Y=YELLOW F=FULL COLOR N=NONE	1=STANDARD 2=HIGH N=NONE	A=15.5mm sq	T=TRANSPARENT R=RED G=GREEN B=BLUE Y=YELLOW S=SILVER	W=WHITE R=RED G=GREEN B=BLUE Y=YELLOW	

CAP Symbol: Please refer to cap selection for all available symbols on cap surface, and any customization is welcomed

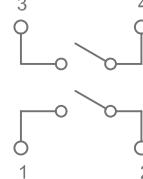
## SCHEMATIC

### SWITCH

#### 1P1T

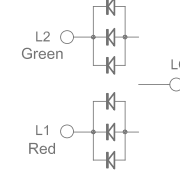


#### 2P1T

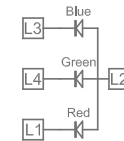


### LED

#### R3G3

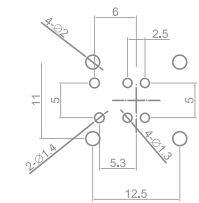
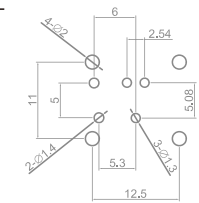


#### RGB

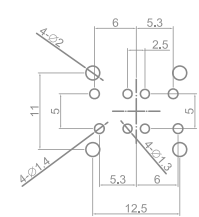
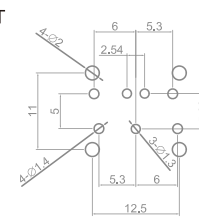


## P.C.B LAYOUT

### 1P1T

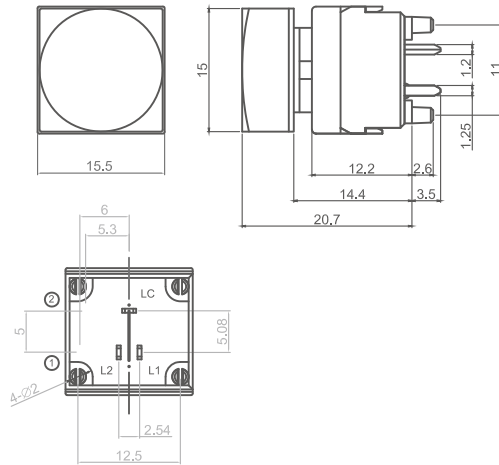


### 2P1T

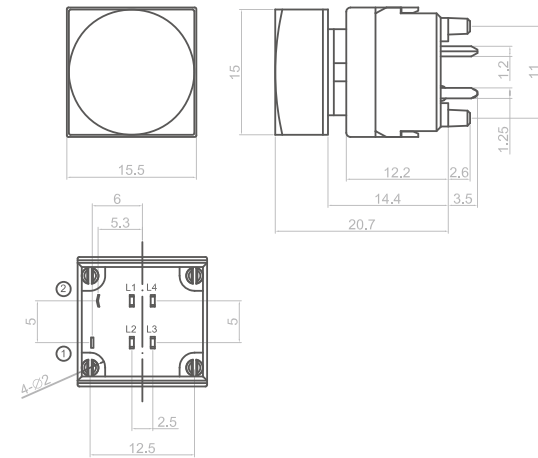


For the specification about the other LEDs, please contact with sales department

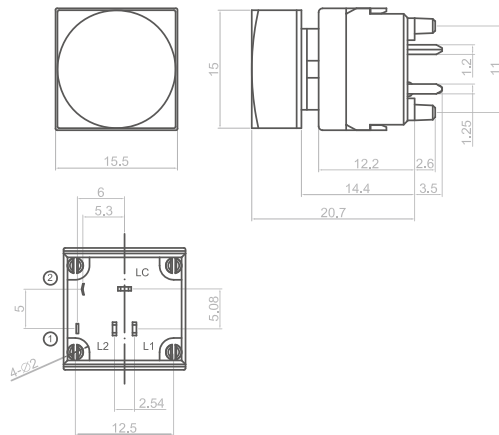
**PLD-N1W1NN-ATW**



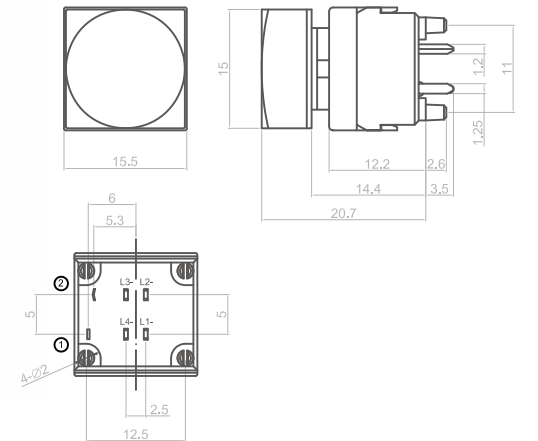
**PLD-N1R1NN-ATW**



**PLD-N1Y1NN-ATW**



**PLD-N1FN-ATW**





# *Laser Service*

先进镭射雕刻服务，精密不失真。

## **Feature:**

Lak-View's products are always the best choice and provide additional product value.

We focus interest, make the product recognizable and improve product image.

Customers can make pattern, logo, characters and even the design on their own.

Convenience, Short time to market, Quality, Beauty and more than one hundred kinds of designs are available to satisfy our customers.

No expenses for ink or additional materials due to laser printing. Does not fade or change color,.

## **Application:**

Public building, Security system, Business building, Industrial equipment, Communication equipments, Audio/Video products...etc.

# CAP Symbol



	0	1	2	3	4	5	6	7	8	9	10	11	12	13	14	15	16	17	18	19		
A	0	1	2	3	4	5	6	7	8	9	10	11	12	13	14	15	16	17	18	19		
B	A	B	C	D	E	F	G	H	I	J	K	L	M	N	O	P	Q	R	S	T		
C	U	V	W	X	Y	Z	V1	V2	V3	V4	V5	V6	V7	V8	V9	F1	F2	F3	F4	F5		
D	F6	F7	GO	OK	WIN	ESC	MENU	BRIGHT	LAYOUT	TAKE	INVERT	LIGHT	SDI	VGA	DVI	PIP	P/F	Out-K	In-A	In-B		
E	M1	SAVE	SPLIT	HDMI	LOAD	Set	Menu	Win	In	Out	Load	Save	RTMP	PGM1	PGM2	PVW	MIX	PUSH	COVER	WIPE		
F	V1 ▲	VGA ◀	H1 ▼	H2 ▶	DVI ①	HDMI ②	EXT1 ③	EXT2 ④	VGA ⑤	CVBS ⊖	M6 Ⓢ	DDR1 PLAY	PPT On/Off	REC PGM	DDR2 PLAY	PAGE UP	PAGE DOWN	M Prew Switch	In-A K-Out1	Overlay Fade		
G	TAKE 0	VID1 1	VID2 2	VGA1 3	VGA2 4	HDMI 5	FREEZE SAVE	RETURN SHIFT	BLACK ERASE	Auto Take	Bypass	Freeze	Mosaic	VOLUME UP ▲	VOLUME DOWN ▼	SELECT TRANS	INPUT SETUP	PTZ PRESET	PLAY BACK	REAL TIME		
H	In1	In2	In3	In4	M+	M1	M2	M3	CH1	CH2										RoHS compliant		
I																						
J																						
K																						
L																						
M																						
N																						