



绝佳顿感，滑顺均匀  
Tactile or non-tactile feel, Perfectly Poise

**Features**

Long electrical life cycles.  
Choice of multiple colored caps.  
Choice of painted colored caps.  
Laser marking service.  
Available with small quantity order.

**产品特点**

提供带触感型及无触感型两种选择  
超高亮LED照光，耐久鲜明  
超长距离，高信耐接触，无杂讯  
客制化帽盖选择，喷漆色盖&镭射雕刻服务

**Applications**

Studio equipment.  
Audio/Video products,  
Broadcast system,  
Instrumentation.,  
Telecommunications ...etc.

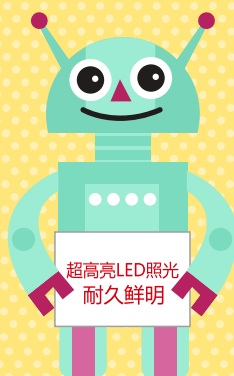
**使用范围**

音响、影像等录音室器材设备  
广播系统、电信仪器设备

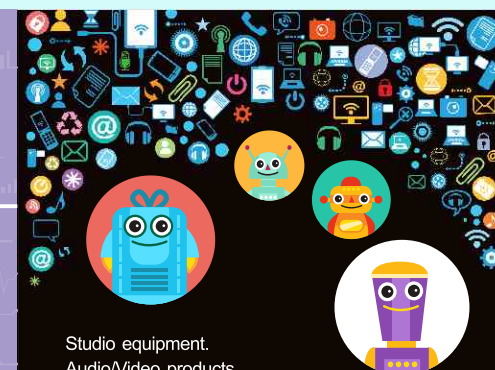


绝佳顿感，滑顺均匀  
Tactile or non-tactile feel, Perfectly Poise

超高亮LED照光，耐久鲜明  
Long electrical life cycles.



超长距离，高信耐接触，无杂讯  
Long distance,  
high contact resistance, no noise



Studio equipment.  
Audio/Video products,  
Broadcast system,  
Instrumentation.,  
Telecommunications ...etc.  
音响、影像等录音室器材设备、广播系统、  
电信仪器设备

# i PLC

## General Specifications: (产品规格)

Function:OFF-<ON>For Momentary Type,SPST
Contact Rating: 100mA 12V DC
Contact Resistance: 200mΩ Max
Insulation Resistance: 100MΩ Min.500 V DC
Dielectric Strength:Breakdown is not allowable; 500V AC for 1 minute
Actuation Force: 250 ± 100gf
Total Travel:4.5mm ± 0.2mm
Operating Life: 2,000,000 cycles
Operating Temperature: -20° C to 70° C

## Material: (产品材质)

Cover: Polycarbonate(PC)
Actuator:Polyoxymethylen(POM)
Base Frame:Polyamide(PA)+GF
Terminal:Brass with silver plating
Moving Contact:Phosphor Bronze with gold plating

## LED Specifications:

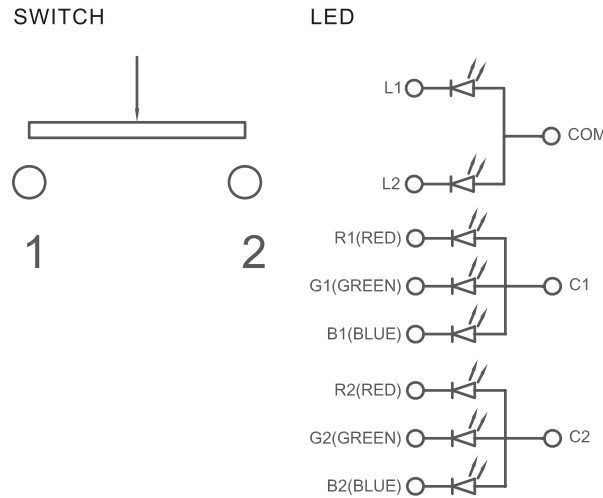
Color	V		Recommended Operating Current	VF	
				Nom	Max
Red	DC 5V	20mA	20mA	1.7V	2.4V
Green	DC 5V	20mA	20mA	1.9V	2.4V
Yellow	DC 5V	20mA	20mA	1.9V	2.4V
Blue	DC 5V	20mA	20mA	3.0V	3.6V
White	DC 5V	20mA	20mA	3.0V	3.6V

## HOW TO ORDER

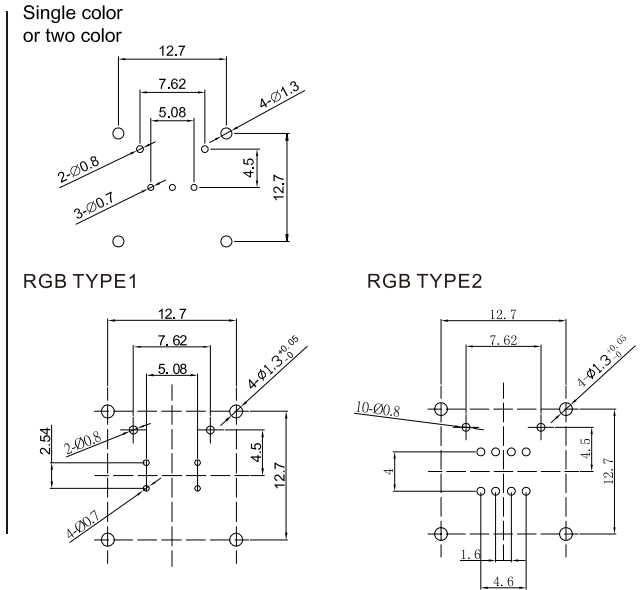
SERIES	OPERATION	POLE	ACTUATION TYPE	LED COLOR	LED COLOR	CAP TYPE	CAP COLOR	PLATE COLOR	CAP SYMBOL
PLC	N	1	T	R	N	A	T	W	A
	N=NON-LOCK	1=1 POLE	T=TACTILE TYPE N=NON TACTILE	B=BLUE G=GREEN R=RED Y=YELLOW F=FULL COLOR N=NONE	B=BLUE G=GREEN R=RED Y=YELLOW F=FULL COLOR N=NONE	A=12.0mm sq B=15.0mm sq C=17.4mm sq D=17.4X34.8 mmsq	T=TRANSPARENT R=RED G=GREEN B=BLUE Y=YELLOW S=SILVER	W=WHITE R=RED G=GREEN B=BLUE Y=YELLOW	A=2.5mm

CAP Symbol:Please refer to cap selection for all available symbols on cap surface,and any customization is welcomed

## SCHEMATIC

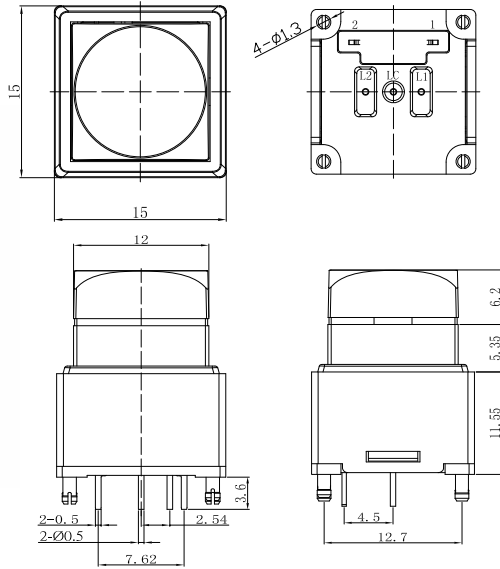
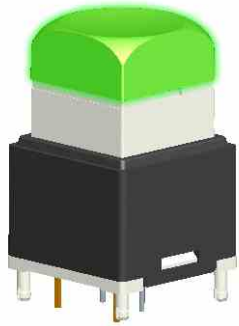


## P.C.B LAYOUT

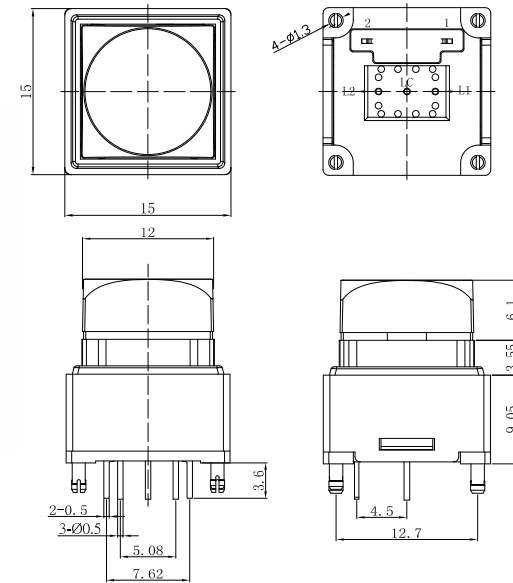
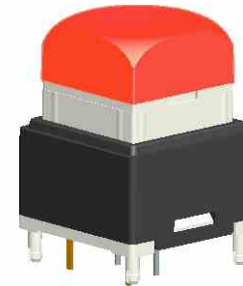


For the specification about the other LEDs, please contact with sales department

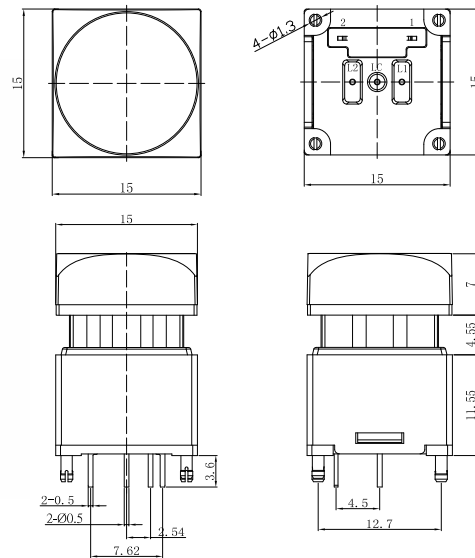
### PLC-N1TGN-ATW



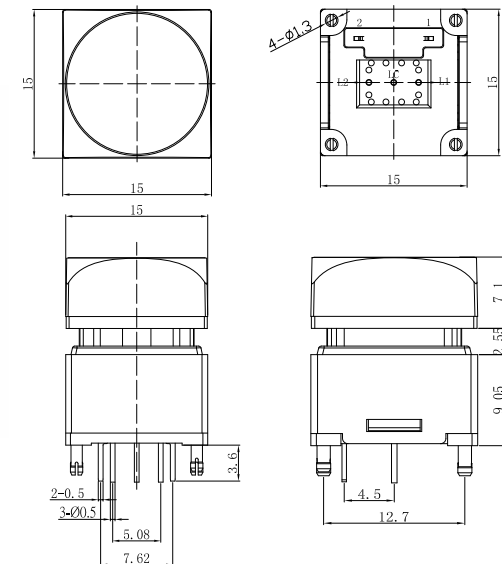
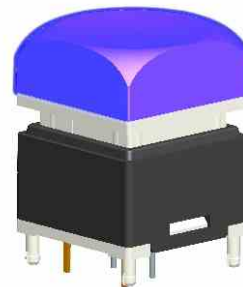
### PLC-N1TRG-ATW-A



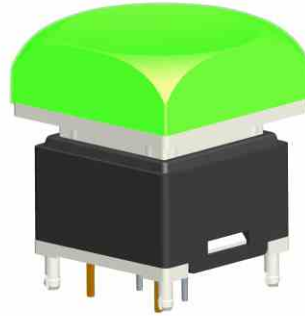
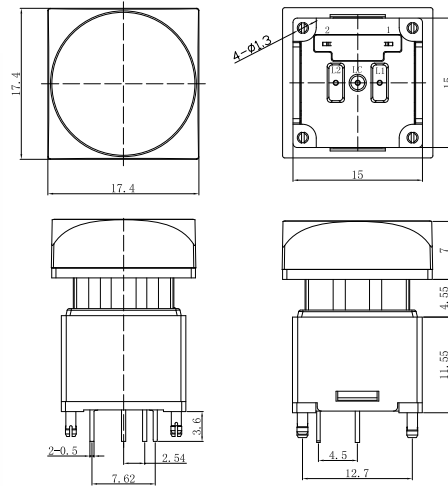
### PLC-N1TRN-BTW



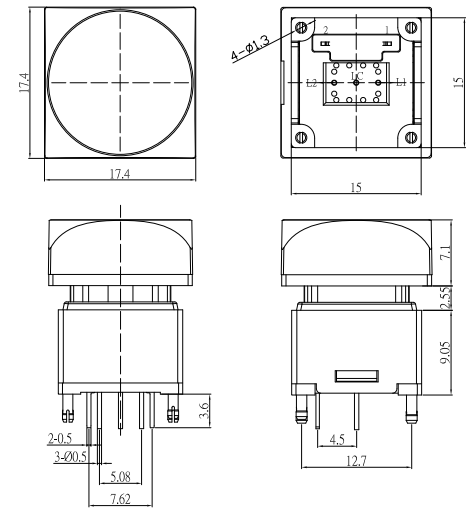
### PLC-N1TBR-BTW-A



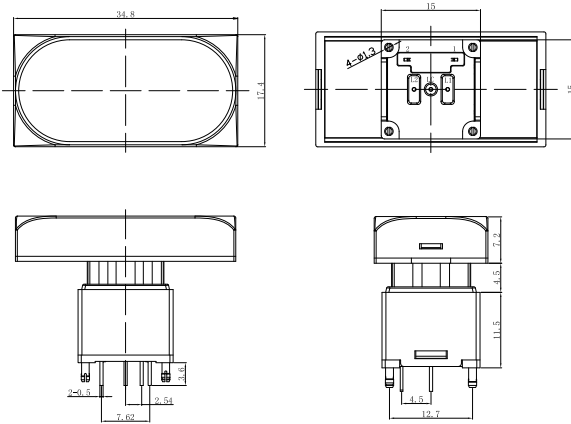
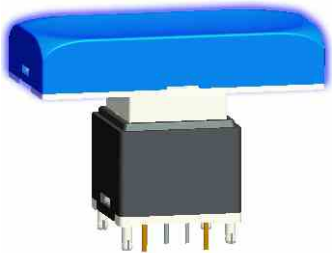
### PLC-N1TYN-CTW



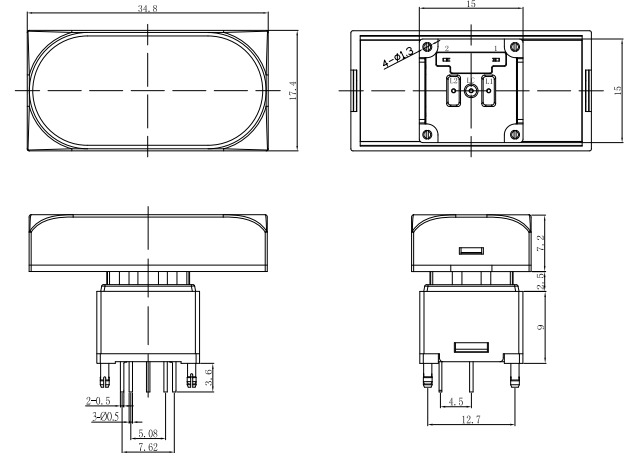
### PLC-N1TGR-CTW-A



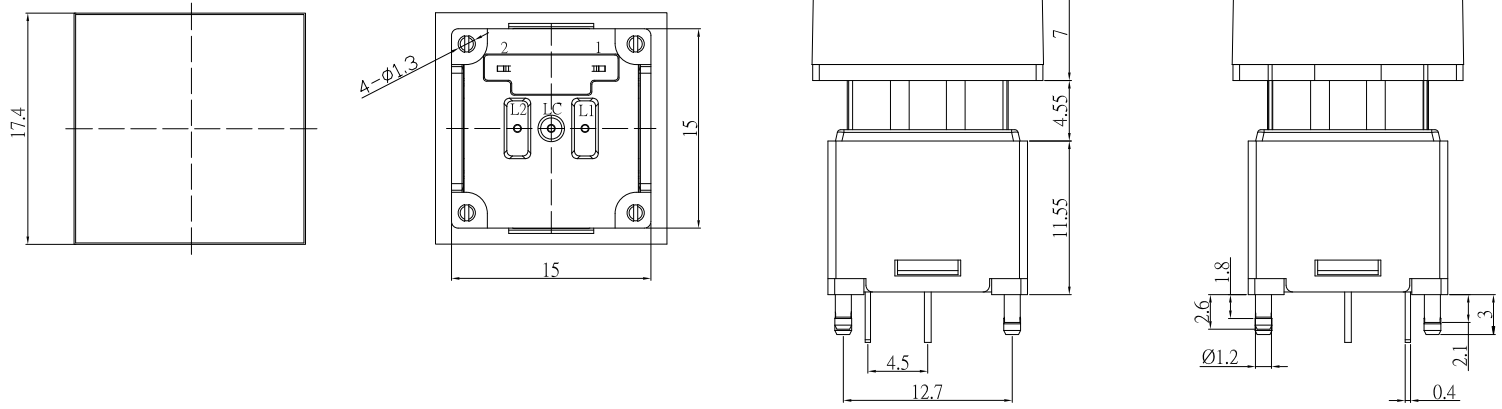
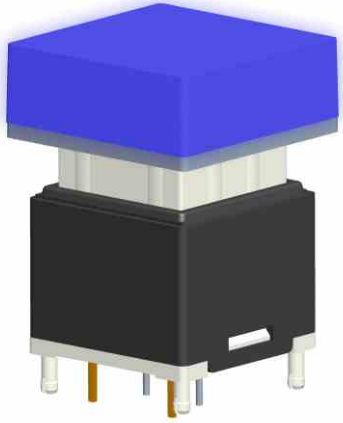
### PLC-N1TBN-DTW



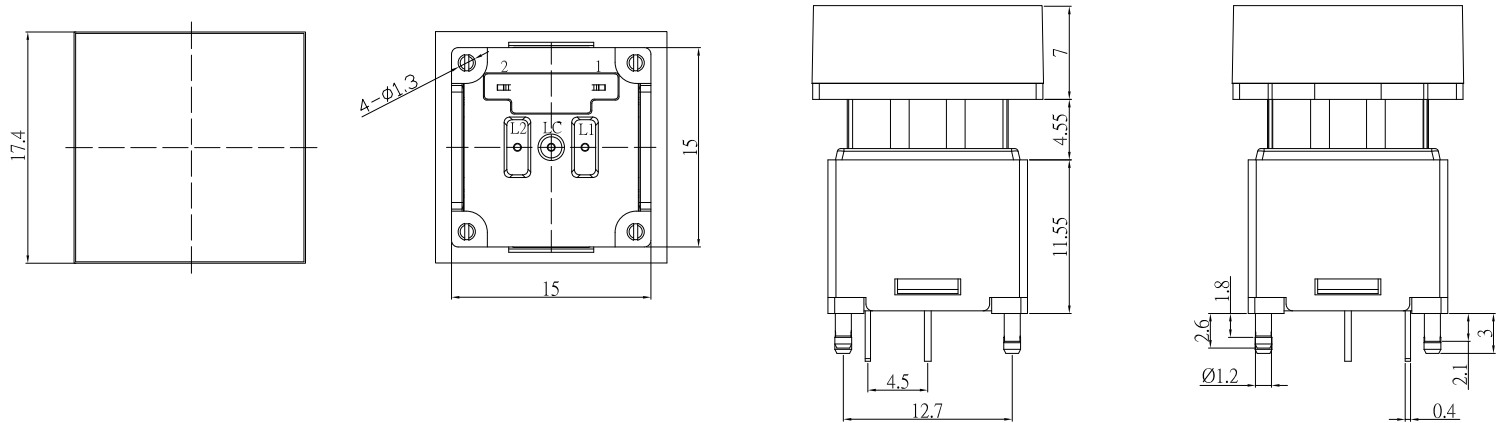
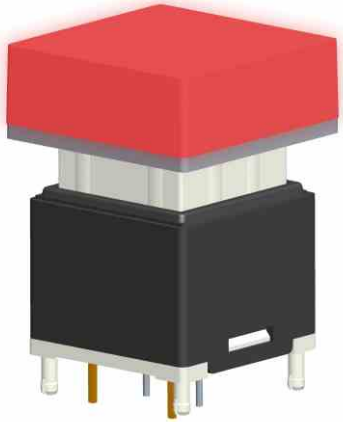
### PLC-N1TBR-DTW-A



### PLC-N1TBN-C1TW



### PLC-N1TRN-C1TW







# *Laser Service*

先进镭射雕刻服务，精密不失真。

## **Feature:**

Lak-View's products are always the best choice and provide additional product value.

We focus interest, make the product recognizable and improve product image.

Customers can make pattern, logo, characters and even the design on their own.

Convenience, Short time to market, Quality, Beauty and more than one hundred kinds of designs are available to satisfy our customers.

No expenses for ink or additional materials due to laser printing.

Does not fade or change color,.

## **Application:**

Public building, Security system, Business building, Industrial equipment, Communication equipments, Audio/Video products...etc.

# CAP Symbol



	0	1	2	3	4	5	6	7	8	9	10	11	12	13	14	15	16	17	18	19	
A	0	1	2	3	4	5	6	7	8	9	10	11	12	13	14	15	16	17	18	19	
B	A	B	C	D	E	F	G	H	I	J	K	L	M	N	O	P	Q	R	S	T	
C	U	V	W	X	Y	Z	V1	V2	V3	V4	V5	V6	V7	V8	V9	F1	F2	F3	F4	F5	
D	F6	F7	GO	OK	WIN	ESC	MENU	BRIGHT	LAYOUT	TAKE	INVERT	LIGHT	SDI	VGA	DVI	PIP	P/F	Out-K	In-A	In-B	
E	M1	SAVE	SPLIT	HDMI	LOAD	Set	Menu	Win	In	Out	Load	Save	RTMP	PGM1	PGM2	PVW	MIX	PUSH	COVER	WIPE	
F	V1 ▲	VGA ◀	H1 ▼	H2 ▶	DVI ①	HDMI ②	EXT1 ③	EXT2 ④	VGA ⑤	CVBS ⊖	M6 Ⓢ	DDR1 PLAY	PPT On/Off	REC PGM	DDR2 PLAY	PAGE UP	PAGE DOWN	M Prew Switch	In-A K-Out1	Overlay Fade	
G	TAKE 0	VID1 1	VID2 2	VGA1 3	VGA2 4	HDMI 5	FREEZE SAVE	RETURN SHIFT	BLACK ERASE	Auto Take	Bypass	Freeze	Mosaic	VOLUME UP ▲	VOLUME DOWN ▼	SELECT TRANS	INPUT SETUP	PTZ PRESET	PLAY BACK	REAL TIME	
H	In1	In2	In3	In4	M+	M1	M2	M3	CH1	CH2										RoHS compliant	
I																					
J																					
K																					
L																					
M																					
N																					